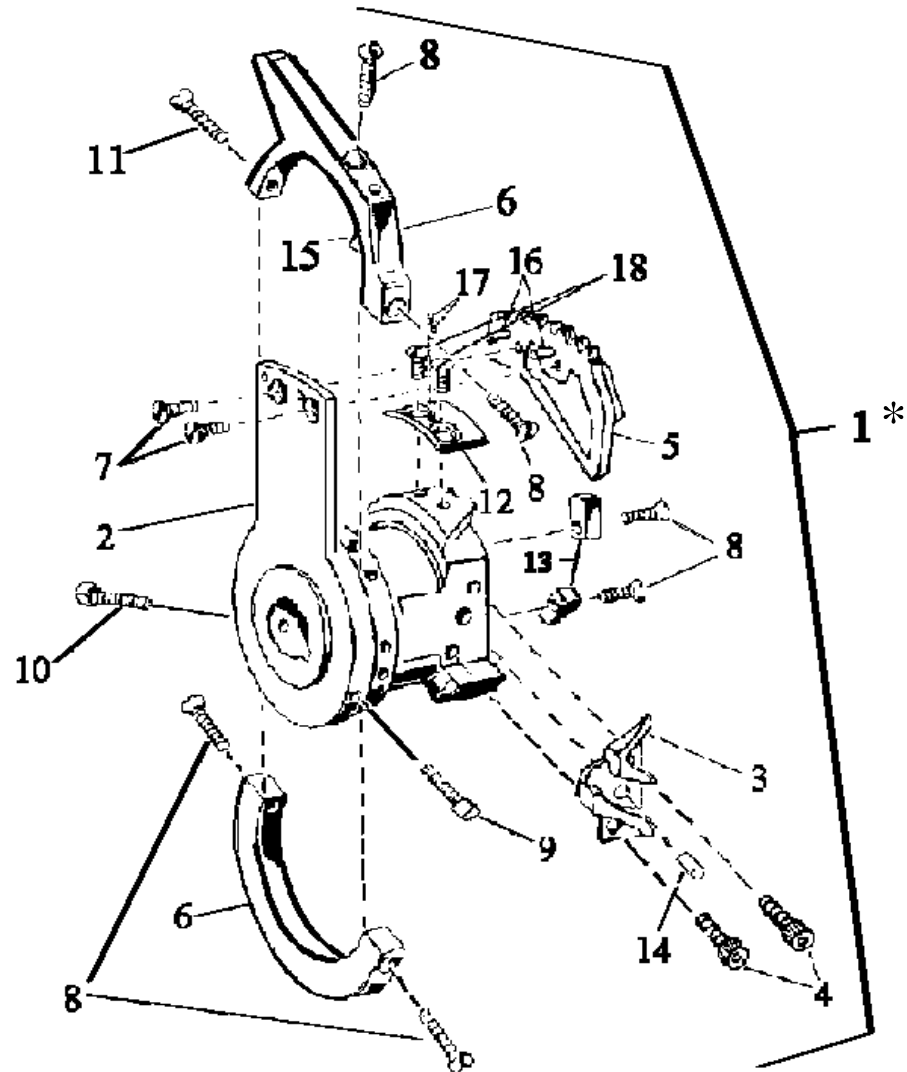


MAIN CAM ASSEMBLY



Use serial number when ordering all replacement parts.

Index	Part	Qty	Index	Part	Qty
1*	009033 Main Cam Assembly	1	10	100127 Screw, Set Square Head Knurled Cup Point	1
2	009059 Main Cam Sub Assembly	1	11	100095 Screw, Machine Flat Head 10-24 x 5/8 in	2
3	009025 Switch, Cam Knotter Head (includes pin)	1	12	209007 Riser, Cam	1
4	100109 Screw, Socket Head Cap 1/4-20	2	13	009026 Clutch, Kickout Block (two required for cross	1
5	020135 Rack, Knotter Cam	1	14	100161 Pin, Knotter Cam Groove	1
6	009078 Ring Cam (Sold as set only)	1	15	100160 Pin, Drawslide Ring Cam Groove	1
7	100328 Screw, Machine Flat Head 12-24 x 5/8 in	2	16	100372 Pin, Knotter Rack Roll	2
8	100326 Screw, Machine Flat Head 12-24 x 7/8 in	4	17	100712 Screw, Socket Set Cone Point	2
9	100128 Screw, Set Square Head Knurled Cup Point	1	18	100102 Screw, Machine Flat Head 12-24 x 3/4	2

* Includes all Items #2 through #18