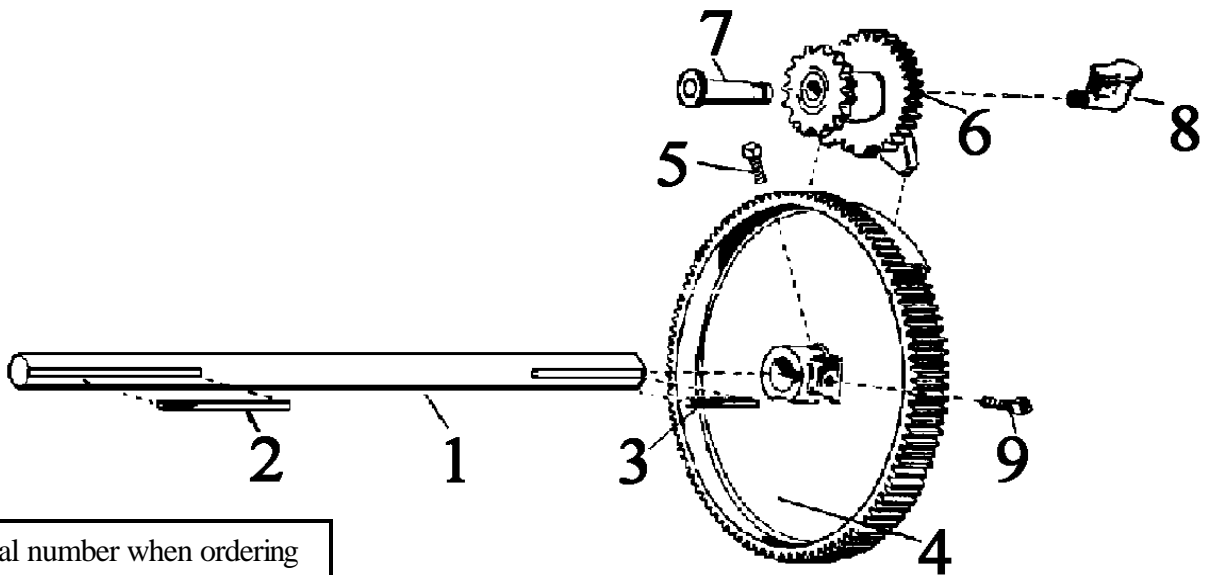


# MAIN GEAR AND CHAIN GEAR ASSEMBLY



Use serial number when ordering  
all replacement parts.

Index	Part	Qty	Index	Part	Qty
1	012183 Main Shaft	1	6	020243 Chain Gear Assembly	1
2	083057 Key, Main Cam	1	7	081072 Stud, Chain Gear Assembly	1
3	083074 Key, Main Gear	1	8	100087 Oil Cup 90°	1
4	020006 Main Gear	1	9	100128 Screw, Set Square Head Knurled Cup Point	1
5	100127 Screw, Set Square Head Knurled Cup Point	1			

NOTE: When Changing either the Main Gear or Chain Gear Assembly, make sure the timing tooth on both parts are not worn.

If either timing tooth is not square like other teeth then both gears *must* be replaced.