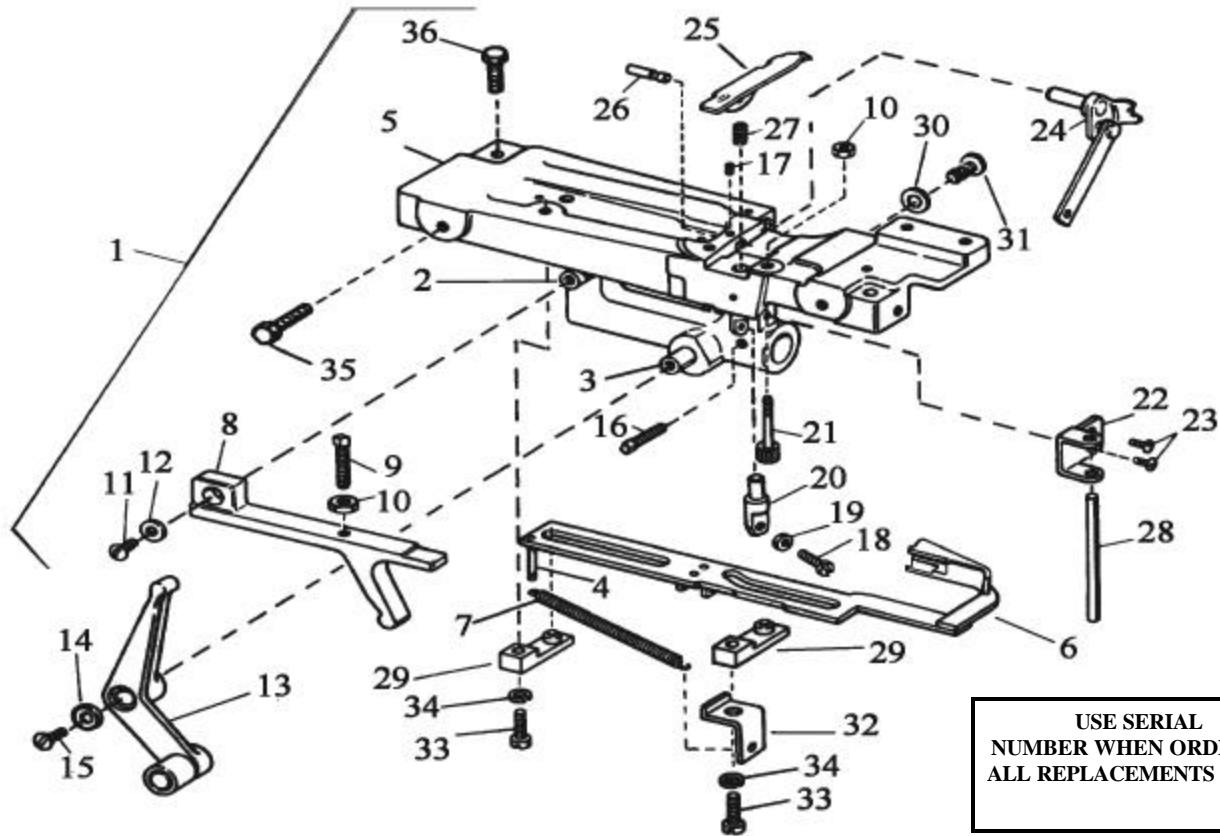


# MAIN TABLE ASSEMBLY



Index Number	Part Number	Description	Qty Req	Index Number	Part Number	Description	Qty Req
1	008003	Main Table Assembly	1	19	100191	Nut, Jam Hex 1/4-28 NF	1
2	081014	Stud, Riser Lever	1	20	081056	Stud, Knotter Release	1
3	081013	Stud, Drawslide Lever	1	21	100710	Stud, Knotter Head Stop	1
4	100695	Pin, Drawslide Spring	1	22	083073	Guide, Riser Pin	1
5**	008009	Main Table Sub Assembly	1	23	100597	Screw, Pan Head, Self Tap 10-24 NC X 5/8 in	2
6	045034	Drawslide Assembly	1	24*	032035	Tip Up Assembly	1
7	074059	Spring, Drawslide	1	25*	052***	Stripper	1
8	032003	Riser Lever	1	26*	083071	Pin, Stripper Pivot	1
9	100124	Screw, Set Square Head Dog Point 1/4-20	1	27*	074006	Spring, Stripper	1
10	100150	Nut, Hex 1/4-20	2	28*	083060	Pin, Riser	1
11	100098	Screw, Round Head 10-24 NC x 3/8 in	1	29	070049	Drawslide Cap Assembly	2
12	100131	Washer, Flat 1/2 OD x 7/32 ID x 3/64 in Thick	1	30	100134	Washer, Drawslide Lever	1
13	032075	Lever, Drawslide	1	31	100566	Screw, Drawslide Lever	1
14	100019	Washer, Drawslide Lever	1	32	025288	Bracket, Drawslide Spring	1
15	100110	Screw, Flat Head Slotted 1/4-20 NC x 1/2 in	1	33	100104	Screw, Drawslide Cap, 1/4-20 x 1 Fillister Head	2
16	100596	Screw, Set Square Head Cup Point 1/4-20 x 3/4	1	34	100135	Washer, Split lock 1/4	2
17	100121	Screw, Set Socket Head Cup Point 8-32 x 1/4	1	35	100115	Screw, Hex Head 5/16-18 x 1	2
18	100018	Screw, Knotter Release Adjusting	1	36	100615	Screw, Hex Head 5/16-18 x 1-1/4	1

\* Not Part of Assembly, Order Separately.

\*\* Sub-Assembly includes Items 2, 3, 10, 17, 18, 19, 20, 21, 22, 23, 30 and 31.

\*\*\* Specify Type of Twine or Poly Tape Being Used.

(For 6-8-10 ply twine or 24/28 Poly tape use 052021, 12-16 Ply twine or 35 Poly tape use 052022)