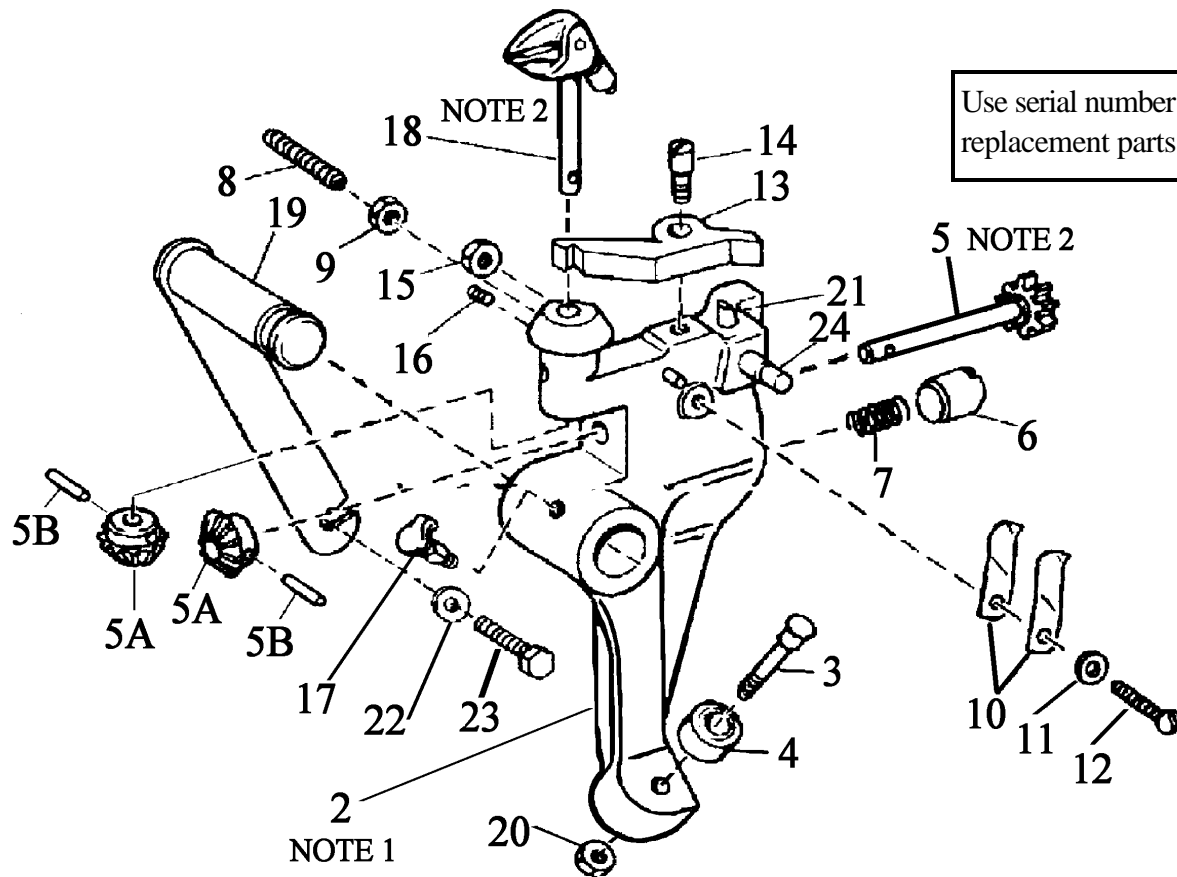


KNOTTER HEAD ASSEMBLY



Use serial number when ordering all replacement parts.

Index Number	Part Number	Description	Qty Req	Index Number	Part Number	Description	Qty Req
1	017***	Knotter Head Assembly	1	13	032042	Lever, Knotter	1
2	017035	Knotter Head Sub- Assembly (Note 1)	1	14	100009	Screw, Shoulder Knotter Lever	1
3	081020	Knotter Head roller Stud	1	15	100143	Nut-Hex, 10-24	1
4	064008	Knotter Head Roller	1	16	100370	Screw, Set Socket Head Cup Point 10-24 x 5/16	1
5	020157	Star Wheel & Miter Gear Assembly (Note 2)	1	17	100701	Oil Cup	1
6	082003	Plunger, Knotter Lock	1	18	017***	Knotter Body & Miter Gear (Note 2)	1
7	074006	Spring, Knotter Lock	2	19	011004	Pivot, Knotter Head	1
8	100187	Screw, Set Knotter Lock 1/4-20 x 1 1/2 Half	1	20	100521	Nut, 5/16-18 Nylon Insert	1
9	100150	Nut, Hex Knotter Lock	1	21	100174	Pin, Roll	1
10	074013	Spring, Knotter Flat	2	22	100280	Washer, Flat	1
11	100131	Washer, Flat	1	23	100119	Screw-Hex 5/16 x 1/2	1
12	100092	Screw, Round Head 10-24 x 1 in Long	1	24	081022	Stud, Tip up Lever	1

*** Specify Type of Twine or Poly Tape Being Used

Note 1: Sub-Assembly includes Items 3,4,20,21 and 24 Note 2: Includes Items 5A and 5B