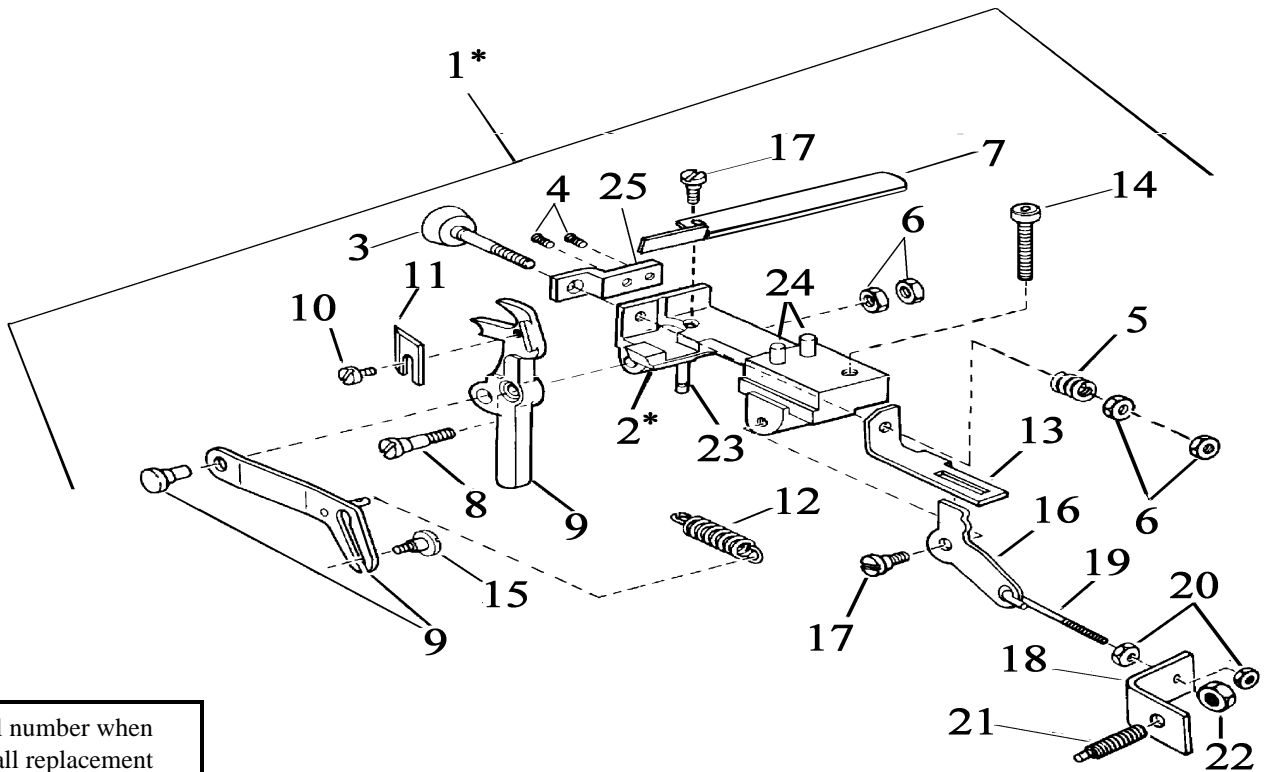


STRINGHOLDER AND KNIFE TRAP ASSEMBLY



Use serial number when ordering all replacement parts.

Index	Part	Qty	Index	Part	Qty
1*	030*** Stringholder Assembly	1	13	030084 Lever, Slide	1
2	030*** Stringholder and Pins Sub Assembly	1	14	100565 Screw, Socket Head Cap	1
3	030147 Button, Stringholder	1	15	100011 Screw, Knife Trap Shoulder	1
4	100489 Screw, 10-32	2	16	030083 Pivot, Dual Tension	1
5	074*** Spring, Stringholder button	1	17	100088 Screw, Pivot	2
6	100144 Nut, Hex 10-32	4	18	030085 Angle, Dual Tension	1
7	032218 Lever, Button Release	1	19	030086 Link, Dual Tension	1
8	100646 Screw, Knife Trap Pivot	1	20	100146 Nut, hex 12-24 X 20 ESNA	2
9	032159 Knife Trap & Lever Assembly	1	21	100187 Screw, Set Half Dog Point 1/4-20 X 1	1
10	100090 Screw, Binder Head 8-32 x 1/4	1	22	100188 Nut, Hex 1/4 X 20	1
11	021009 Knives, Package of 10	1	23	100158 Pin, Groove	1
12	074011 Spring, Knife Trap	1	24	100569 Pin, Groove	2
			25	030*** Face, Stringholder	1

* Assembly does not include items 14, 15, 18, 19, 20, 21 and 22, Order Separately

*** Specify Type of Twine or Tape Being Used