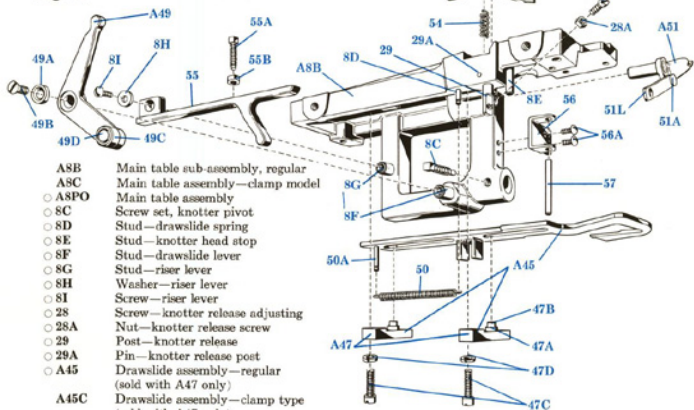


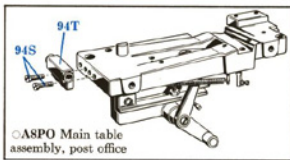
A8 Main Table Assembly

Regular

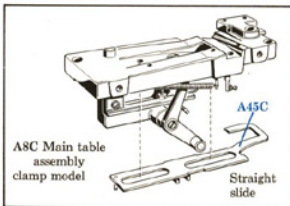


- A8B Main table sub-assembly, regular
- A8C Main table assembly—clamp model
- ASFO Main table assembly
- 8C Screw set, knotter pivot
- 8D Stud—drawslide spring
- 8E Stud—knotter head stop
- 8F Stud—drawslide lever
- 8G Stud—riser lever
- 8H Washer—riser lever
- 8I Screw—riser lever
- 28 Screw—knotter release adjusting
- 28A Nut—knotter release screw
- 29 Post—knotter release
- 29A Pin—knotter release post
- A45 Drawslide assembly—regular (sold with A47 only)
- △ A45C Drawslide assembly—clamp type (sold with A47 only)

- A47 Cap assembly—drawslide
- 47A Roller—drawslide cap
- 47B Stud-roller, drawslide cap
- 47C Screw—drawslide cap
- 47D Washer-lock—drawslide cap
- A49 Lever assembly—drawslide
- 49A Washer—lever retaining
- 49B Screw—lever retaining
- 49C Roller—drawslide lever
- 49D Stud-roller, drawslide lever
- 50 Spring—drawslide (post office trip)
- 50A Pin-grooved
- A51 Tip-up assembly
- 51A Rivet—tip-up lever
- 51L Lever—tip-up
- △ □ 52 Stripper
- 53 Screw-stripper
- 54 Spring-stripper
- 55 Lever-riser
- 55A Screw-riser lever stop
- 55B Nut-riser lever stop screw
- 56 Guide—riser pin
- 56A Screw—guide mounting
- 57 Pin—riser
- 94S Screw—pressure trip bearing
- 94T Bearing—pressure trip



○ ASFO Main table assembly, post office



A8C Main table assembly clamp model

Straight slide