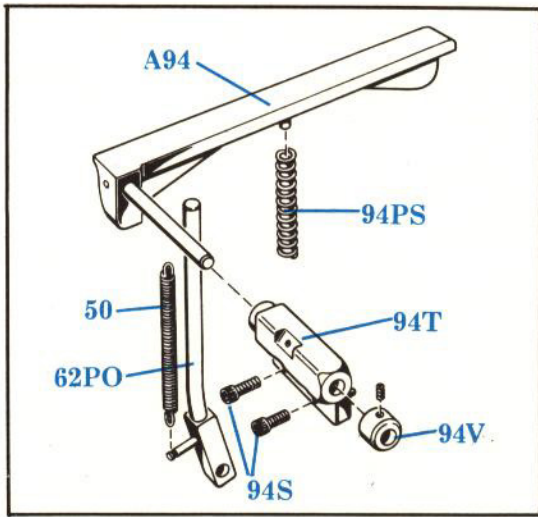


DOUBLE CLUTCH ASSEMBLY



POST OFFICE PRESSURE TRIP

- 82A Clutch member—inner
- 82B Pin-taper, double clutch member
- 83 Collar—clutch pulley
- 83A Collar—clutch shaft end
- 83D Pin-collar—clutch pulley
- 83E Pin-end collar—clutch pulley
- ○ 84 Spring—clutch
- A94 Lever assembly—pressure trip
- 94PS Spring—pressure trip
- 94S Screw—pressure trip bearing
- 94T Bearing—pressure trip
- 94V Collar—P.T. pivot stud
- 112A Lever—clutch block kickout, small
- 112W Wedge—kickout lever
- 112WS Stud—kickout lever wedge
- 123D2 Stud—chain gear, 2W
- ○ A123SA Chain gear assembly

○Used in post office models, too. Order may be written with "P.O." appended to part number.
 □Must order with machine serial number. △Specify twine size used. ☆Used with backgeared models.