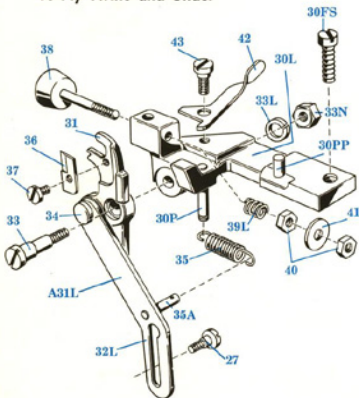


A30L—Stringholder Assembly

Light, Regular (Post Office)
10 Ply Twine and Under



- 27 Screw—knife trap
- 30FS Screw—stringholder mounting
- △ □ ○ 30L Stringholder sub-assembly—light, regular
- 30P Pin—spring perch
- 30PP Pin—stringholder locating
- A31L Knife trap assembly, long lever
- 31 Knife trap
- 32L Lever—long, knife trap
- 33 Screw—knife trap pivot
- 33L Washer—lock, pivot screw
- 33N Nut—pivot screw
- 34 Rivet—knife trap
- 35 Spring—knife trap
- 35A Stud—knife trap spring
- 36 Knife
- 37 Screw—knife mounting
- 38 Button—stringholder
- 39L Spring—light, stringholder button (for 10 ply and below)
- 40 Nut—stringholder button
- 41 Washer—stringholder button
- 42 Lever—release, stringholder button
- 43 Screw—release lever

Cam Wheel, Clutch & Chain Gear Assemblies

- ○ 9 Cam wheel
- 9AL Screw—set, long, cam wheel
- 9AS Screw—set, short, cam wheel
- 9B Key—cam wheel
- 10 & 11 Cam—drawslide, regular—(sold in pairs only)
- 10A Pin—dowel, drawslide cam
- 11A Screw—drawslide cam
- ○ 12 Switch—knotter head cam
- ○ 12A Pin—switch
- ○ 12B Screw—switch
- 13 Rack—knotter
- 13A Pin—knotter rack
- 13B Screw—knotter rack
- 14 Kick-out, clutch, regular
- 14A Screw—clutch kick-out
- ○ 16 Cam riser
- 16A Screw—riser cam
- 50 Spring—drawslide (post office trip)
- 58 Spring—trip
- 59 Bell crank—trip
- 61 Screw—pivot
- 61A Nut—pivot screw
- 61B Washer—lock, pivot screw
- 62PO Rod—trip
- 63 Fork—clutch
- 64 Roller—clutch fork
- 65 Screw—clutch fork roller
- 66H Pin—clutch fork pivot (includes cotter pins)
- 67 Bearing—lower
- 67S Screw—lower bearing
- 76 Gear—main
- 76SL Screw—set, long, main cam gear
- 76SS Screw—set, short, main cam gear
- 77 Key—main cam gear
- ○ 78 Shaft—main
- ○ 79A Pulley assembly—single clutch, small (8¼ diam.)
- 79AD Pulley assembly—double clutch, small (8¼ diam.)
- 79B Rivet—clutch disc
- 79C Bearing—clutch
- 79E Disc—clutch
- 80A Pinion—clutch shaft, 1-cut
- 80B Pinion—clutch shaft, 2-cut
- 80P Pin—taper, pinion
- ○ 81 Shaft—single clutch
- 81A Shaft—double clutch
- 82 Clutch member—outer

○ Used in post office models, too. Order may be written with "P.O." appended to part number.

□ Must order with machine serial number. △ Specify twine size used. ✕ Used with backgeared models.